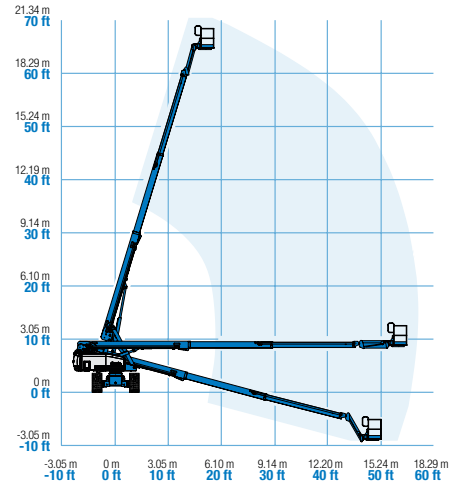


Specifications

Models	S-65 / S-65 TraX	
Measurements	Metric	US
Working height maximum* (on tyres)	21.81 m	71 ft
Working height maximum* (with Trax)	21.81 m	71 ft
Platform height maximum (on tyres)	19.81 m	65 ft
Platform height maximum (with Trax)	19.80 m	65 ft
Horizontal reach maximum	17.10 m	56 ft 2 in
Below ground reach	2.72 m	8 ft 11 in
▲ Platform length	0.91 m	3 ft
▲ Platform width	2.44 m	8 ft
▲ Height - stowed with standard tyres	2.72 m	8 ft 11 in
- stowed with Trax	2.77 m	9 ft 1 in
▲ Length - stowed	9.42 m	30 ft 11 in
- transport (jib tucked under)	7.60 m	25 ft
▲ Width - with standard tyres	2.49 m	8 ft 2 in
- with Trax	2.59 m	8 ft 6 in
▲ Wheelbase	2.51 m	8 ft 3 in
▲ Ground clearance - centre	0.37 m	1 ft 2.5 in
- centre with Trax	0.43 m	1 ft 5 in

Range of Motion S-65 / S-65 TraX



Productivity

Lift capacity	227 kg	500 lbs
Platform rotation	160°	
Vertical jib rotation	135° (+78° /-57°)	
Turntable rotation	360° continuous	
Turntable tailswing (on tyres)	1.22 m	4 ft
Turntable tailswing (with Trax)	1.14 m	3 ft 9 in
Drive speed - 4WD stowed (on tyres)	4.8 km/h	3.0 mph
Drive speed - 4WD stowed (with Trax)	3.7 km/h	2.3 mph
Drive speed - raised or extended	1.1 km/h	0.68 mph
Gradeability** stowed - 4WD	45%	
Turning radius - inside	2.36 m	7 ft 9 in
- inside with Trax	3.66 m	12 ft
Turning radius - outside	5.54 m	18 ft 2 in
- outside with Trax	6.81 m	22 ft 4 in
Controls	12 V DC proportional	
Tyres - RT foam filled	355/55D 625	
Trax - track system - 4 point	Loegering QTS-R42	
Occupied Floor Pressure (with Trax)	1,210 kg/sqm	11.87 kPa

Power

Power source - with standard tyres	Deutz D 2011 L03i 3 cylinder diesel 36 kW (48 hp)	
- with Trax	Deutz TD2011 L04i 4 cylinder turbo diesel 55 kW (74 hp)	
Auxiliary power unit	12 V DC	
Hydraulic tank capacity	170 L	45 gal
Fuel tank capacity	132 L	35 gal

Sound & Vibration Levels

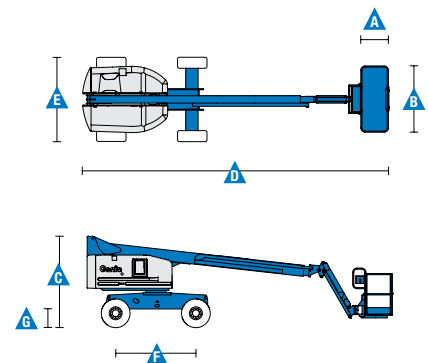
Sound pressure level (ground workstation)	83 dBA	
Sound pressure level (platform workstation)	79 dBA	
Vibration	<2.5 m/s ²	<8 ft 2 in/s ²

Weight***

4WD (standard tyres)	10,174 kg	22,429 lbs
4 WD (with Trax)	12,519 kg	27,600 lbs

Standards Compliance

AS 1418.10



* The metric equivalent of working height adds 2 m to platform height. U.S. adds 6 ft to platform height.
 ** Gradeability applies to driving on slopes, see operator's manual for details regarding slope ratings.
 *** Weight will vary depending on options and/or country standards.

Features

Standard Features

Measurements

S-65, S-65 TraX

- 21.81 m (71 ft) working height
- 17.10 m (56 ft 2 in) horizontal reach
- 227 kg (500 lb) lift capacity

Productivity

- Self-levelling platform
- Hydraulic platform rotation
- Proportional joystick controls
- Thumb rocker steering
- Drive enable
- AC power cord to platform
- Tilt alarm
- Descent & travel alarms
- Flashing beacon
- Horn
- Hour meter
- 360° continuous turntable rotation
- Locking turntable covers
- Positive traction drive
- Two speed wheel motors
- Certified load sensor
- Telematics-Ready Connector
- Hydraulic oil cooler
- Lift Guard™ Contact Alarm
- Lockable platform & ground control box covers

Power

- 12 V DC auxiliary power
- Engine gauge package: oil pressure, temp & amp
- Anti-restart engine protection
- Auto engine fault shutdown
- Intake air heater

Platform

- Steel 2.44 m (8 ft) tri-entry

Jib

- 1.52 m (5 ft) articulating jib boom

Engine

- Deutz diesel 36 kW (48 hp) (S-65)
- Deutz diesel 55 kW (74 hp) (S-65 TraX)

Drive

- 4 x 4

Axle

- Active oscillation (4WD)

Tyres

- Rough terrain non-marking foam-filled (S-65)
- Loegering track system (S-65 TraX)

Options & Accessories

Productivity Options

- Half-mesh platform inserts with swing gate
- Air line to platform
- Work lights package
- Biodegradable hydraulic oil
- Operation Protective structure

Power Options

- 7 kVA hydraulic generator (240 V 50 Hz)
- Diesel catalytic purifier muffler
- 240 V power to platform

Genie – Toll free number 1800 788 633

Brisbane

HEAD OFFICE

33 Kimberley Street
Darra QLD 4076

Sydney

74 Glendenning Road
Glendenning NSW 2761

Melbourne

374 Hammond Road
Dandenong VIC 3175

Adelaide

16-18 Nixon Road
Wingfield SA 5013

Perth

126 Sheffield Road
Welshpool WA 6106

Darwin

33 McCourt Road
Yarrowonga NT 0830

Genie USA

18340 NE 76th Street
P.O. Box 97030
Redmond, Washington
98073-9730

Distributed By:

Effective Date: May, 2017. Product specifications and prices are subject to change without notice or obligation. The photographs and/or drawings in this document are for illustrative purposes only. Refer to the appropriate Operator's Manual for instructions on the proper use of this equipment. Failure to follow the appropriate Operator's Manual when using our equipment or to otherwise act irresponsibly may result in serious injury or death. The only warranty applicable to our equipment is the standard written warranty applicable to the particular product and sale and we make no other warranty, express or implied. Products and services listed may be trademarks, service marks or trade names of Terex Corporation and/or their subsidiaries in the USA and many other countries. Genie is a registered trademark of Terex South Dakota, Inc. © 2017 Terex Corporation.