

### Specifications

Models	Z-45/25J RT	
Measurements	Metric	US
Working height maximum*	16.05 m	52 ft 1 in
Platform height maximum	14.05 m	46 ft 1 in
Horizontal reach maximum	7.52 m	24 ft 8 in
Up and over clearance maximum	7.14 m	23 ft 5 in
▲ Platform length	0.76 m	2 ft 6 in
▲ Platform width	1.83 m	6 ft
▲ Height - stowed	2.13 m	7 ft
▲ Length - stowed	6.65 m	21 ft 10 in
▲ Width	2.29 m	7 ft 6 in
▲ Wheelbase	2.03 m	6 ft 8 in
▲ Ground clearance - center	0.38 m	1 ft 2.8 in

### Productivity

Lift capacity	227 kg	500 lbs
Platform rotation	160°	
Vertical Jib rotation	135°	
Turntable rotation	355° non-continuous	
Turntable tailswing	zero	
Drive speed - stowed	7.24 km/h	4.5 mph
Drive speed - raised **	0.98 km/h	0.6 mph
Gradeability - 4WD - stowed***	45%	
Turning radius - inside	1.68 m	5 ft 6 in
Turning radius - outside	4.50 m	14 ft 9 in
Controls	12 V DC proportional	
Tires	315/55 D20	

### Power

Power source	Deutz D2011L03i 3 cylinder diesel 48 hp (35.8 kW)	
Auxiliary power unit	12 V DC	
Hydraulic tank capacity	83 L	22 gal
Fuel tank capacity	64.4 L	17 gal

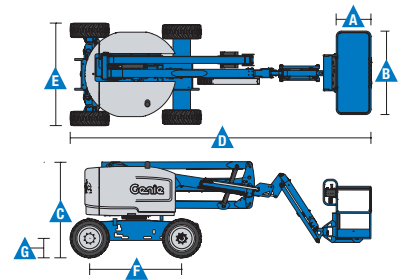
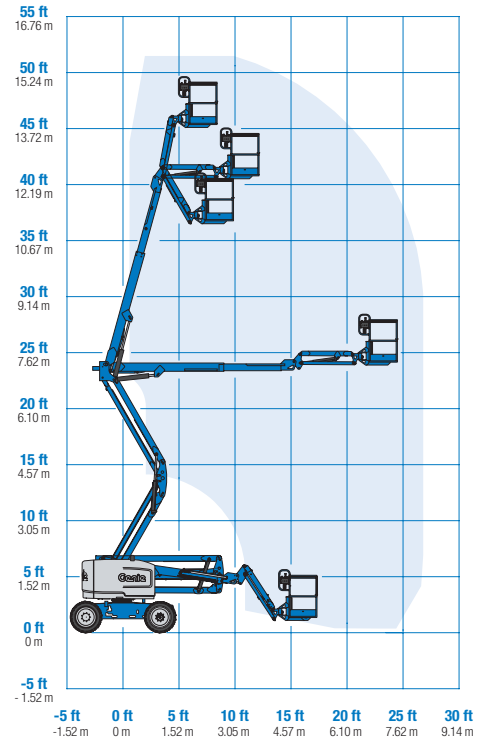
### Weight\*\*\*\*

4WD	6134 kg	13,523 lbs
-----	---------	------------

### Standards Compliance

AS 1418.10

### Range Of Motion Z-45/25J RT



\* The metric equivalent of working height adds 2 m to platform height. U.S. adds 6 ft to platform height.

\*\* In lift mode (platform raised), the machine is designed to operate on firm, level surfaces only.

\*\*\* Gradeability applies to driving on slopes. See operator's manual for details regarding slope ratings.

\*\*\*\* Weight will vary depending on options and/or country standards.

## Features

### Standard Features

#### Measurements

- 16.05 m (52 ft 1 in) working height
- 7.52 m (24 ft 8 in) horizontal reach
- 7.14 m (23 ft 5 in) up and over clearance
- Up to 227 kg (500 lbs) lift capacity

#### Productivity

- Self-leveling platform
- Hydraulic platform rotation
- Proportional joystick controls
- Drive enable
- AC power cord to platform
- Horn
- Hour meter
- Tilt alarm
- Descent alarm
- 355° non-continuous turntable rotation
- Positive traction drive
- Two speed wheel motors
- Dual flashing beacons
- Thumb rocker steer

#### Power

- 12 V DC auxiliary power
- Swing out engine tray
- Intake air heater

#### Jib

- 5 ft (1.52 m) jib boom

#### Engine

- Deutz diesel, 48 hp (35.8 kW)

#### Drive

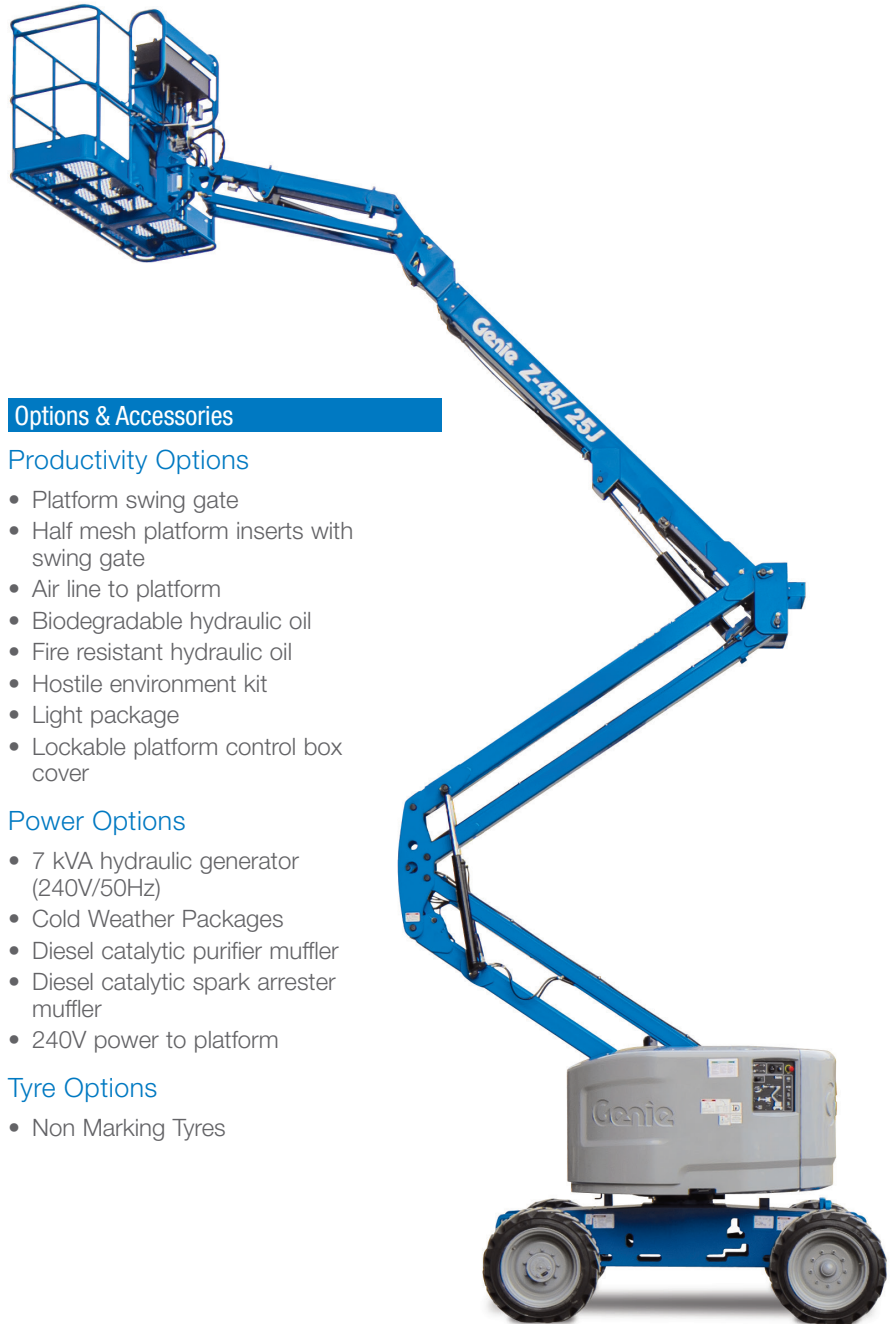
- 4WD

#### Axle

- Active oscillation

#### Tyre

- Rough terrain foam-filled



### Options & Accessories

#### Productivity Options

- Platform swing gate
- Half mesh platform inserts with swing gate
- Air line to platform
- Biodegradable hydraulic oil
- Fire resistant hydraulic oil
- Hostile environment kit
- Light package
- Lockable platform control box cover

#### Power Options

- 7 kVA hydraulic generator (240V/50Hz)
- Cold Weather Packages
- Diesel catalytic purifier muffler
- Diesel catalytic spark arrester muffler
- 240V power to platform

#### Tyre Options

- Non Marking Tyres

## Genie – Toll free number 1800 788 633

### Brisbane

HEAD OFFICE  
33 Kimberley Street  
Darra QLD 4076

### Sydney

74 Glendenning Road  
Glendenning NSW 2761

### Melbourne

374 Hammond Road  
Dandenong VIC 3175

### Adelaide

16-18 Nixon Road  
Wingfield SA 5013

### Perth

126 Sheffield Road  
Welshpool WA 6106

### Darwin

33 McCourt Road  
Yarrowonga NT 0830

## Genie USA

18340 NE 76th Street  
P.O. Box 97030  
Redmond, Washington  
98073-9730

## Distributed By:

Effective Date: April, 2015. Product specifications and prices are subject to change without notice or obligation. The photographs and/or drawings in this document are for illustrative purposes only. Refer to the appropriate Operator's Manual for instructions on the proper use of this equipment. Failure to follow the appropriate Operator's Manual when using our equipment or to otherwise act irresponsibly may result in serious injury or death. The only warranty applicable to our equipment is the standard written warranty applicable to the particular product and sale and we make no other warranty, express or implied. Products and services listed may be trademarks, service marks or trade names of Terex Corporation and/or their subsidiaries in the USA and many other countries. Genie is a registered trademark of Terex South Dakota, Inc. © 2015 Terex Corporation.